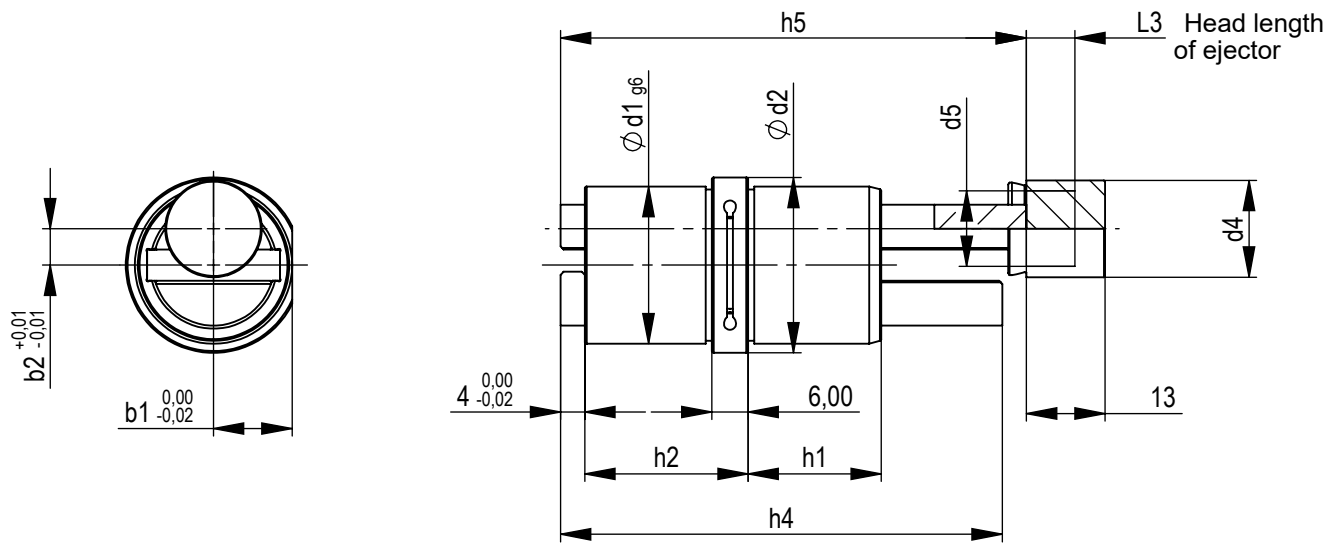
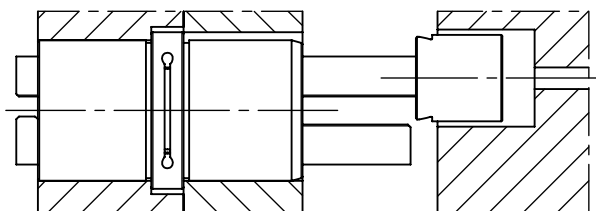
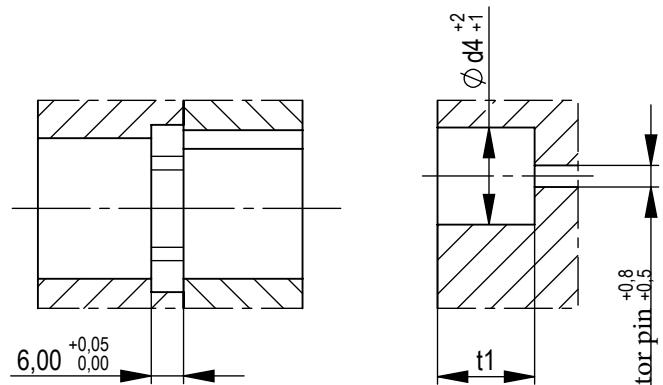
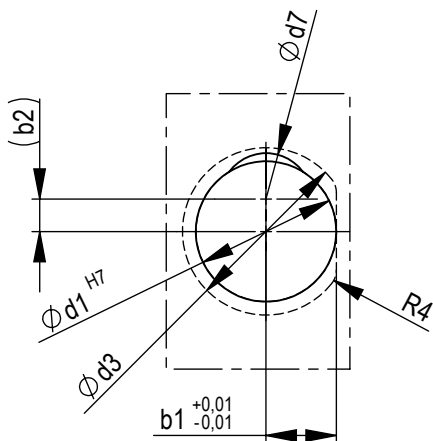


Multi-stroke accelerator, retracting, hardened



1.2083 about 53 HRC

d1	d2	d4	b1	b2	h5	h4	Hub	h2	h1	Order No.
26	29	16	13	6	77	73	20	27	22	MH-EFG22-27



Drill the diameter of the ejector pin $+0.8$
 -0.5

d3	d5 max	L3 max	d7	t1	Order No.
31	12,5	8	17	18	MH-EFG22-27

Multi-stroke accelerator, retracting, hardened

