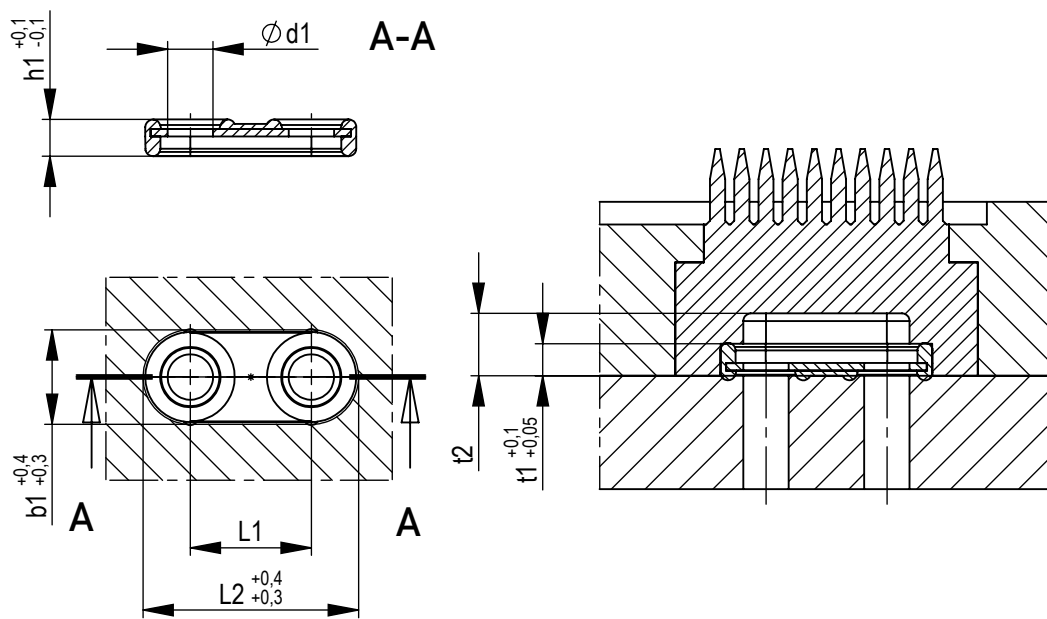


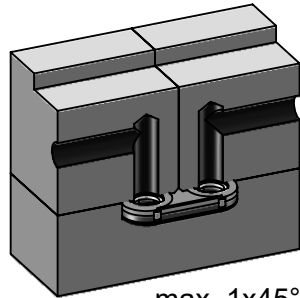
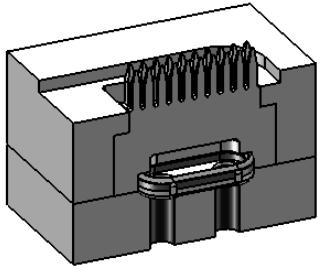
Deflector flat



| Material: Messing/Viton | |
|-------------------------|---------|
| Medium | max. °C |
| Luft/air | 200 |
| Öl/oil | 150 |
| Wasser/water | 95 |

| h1 | t1 | t2 | b1 | L2 | d1 | L1 | Order No. |
|------|----|----|----|----|----|----|-----------|
| 4,85 | 4 | - | 11 | 26 | 5 | 15 | UF5x15 |
| 4,85 | 4 | - | 11 | 33 | 5 | 22 | UF5x22 |
| 4,85 | 4 | - | 11 | 41 | 5 | 30 | UF5x30 |
| 4,85 | 4 | - | 12 | 28 | 6 | 16 | UF6x16 |
| 4,85 | 4 | - | 12 | 36 | 6 | 24 | UF6x24 |
| 4,85 | 4 | - | 12 | 44 | 6 | 32 | UF6x32 |
| 4,85 | 4 | 7 | 14 | 32 | 8 | 18 | UF8x18 |
| 4,85 | 4 | 7 | 14 | 42 | 8 | 28 | UF8x28 |
| 4,85 | 4 | 7 | 14 | 50 | 8 | 36 | UF8x36 |
| 4,85 | 4 | 9 | 16 | 36 | 10 | 20 | UF10x20 |
| 4,85 | 4 | 9 | 16 | 46 | 10 | 30 | UF10x30 |
| 4,85 | 4 | 9 | 16 | 56 | 10 | 40 | UF10x40 |
| 4,85 | 4 | 11 | 18 | 40 | 12 | 22 | UF12x22 |
| 4,85 | 4 | 11 | 18 | 50 | 12 | 32 | UF12x32 |
| 4,85 | 4 | 11 | 18 | 62 | 12 | 44 | UF12x44 |

Deflector flat



max. 1x45°

