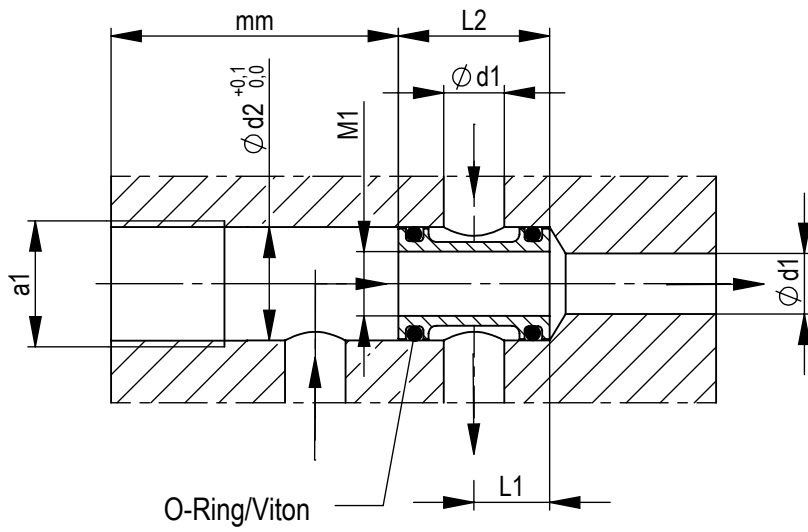


Cooling intersection

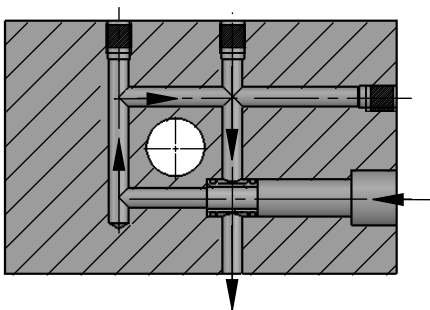


Material: CuZn/1.4404	
Medium	max. °C
Luft/air	200
Öl/oil	150
Wasser/water	95

When recessed installation of the cooling cross, the O-ring acts as a fixation

							CuZn 2.0401	1.4404
d1	d2	a1	L1	L2	M1	O-Ring	Order No.	Order No.
ø6	ø11,5	G1/4	10	20	M8	8x1,5	KK06-0401	KK06-4404
ø8	ø15	G3/8	10	20	M10	11x2	KK08-0401	KK08-4404
ø10	ø18,5	G1/2	12	24	M12	13,9x2,4	KK10-0401	KK10-4404
ø12	ø24,5	G3/4	12	24	M16	20x2,5	KK12-0401	KK12-4404

XY axis



Z axis

